

Senor iSPAD10



Features

- 10.4" AFFS+ TFT Active Matrix with Resistive Touch Panel
- Ultra Low Power Consumption
- Fully Rugged for Mobile POS or Warehousing Application
- Meet MIL-STD-810F, IP54, 122cm Drop Resistance
- High Mobility, Multiple Connectivity (Bluetooth/WLAN/3.75G)
- Identification Devices (Barcode Scanner, RFID Reader and MSR)
- Hot-swappable Battery Providing Battery Life up to 8 Hours
- 23-key Numeric and Functional Keypad
- I.P.A. (Isopropyl) Alcohol Clearing Allowed

System

CPU	Intel® Atom™ Z530P 1.6GHz processor
Graphics Controller	GMA 500 Integrated
Memory	2GB DDR2-800 SDRAM installed
Chipset	Intel® System Controller Hub US15WPT
BIOS	AMI BIOS
	1 x Integrated microphone
Audio	1 x Integrated 2W speaker
	1 x Earphone jack
Storage	1 x 32GB 1.8" SSD

Peripherals and Devices

USB Port	1 x USB 2.0 port
Camera	1 x 2.0 megapixels Auto Focus CMOS camera (optional)
RFID	Integrated 13.56MHz, ISO 15693/14443A/14443B RFID Reader (distance: 3~5cm; speed: 5 cards/sec) (optional)
Wi-Fi	Integrated WLAN 802.11 b/g/n
Bluetooth	Integrated Bluetooth 2.1 + EDR (optional)
GSM/UMTS	Gobi 3000 HSUPA module (3.75G) for GSM/GPRS/EDGE, EV-DO networks (optional)
Barcode Scanner	1 x 1D/2D Barcode scanner (optional)
MSR	1 x MSR module kit (optional)
SD Card	1 x SD/SDHC slot
Expansion	1 x 35-pin pogo connector for connection with desktop cradle 1 x ExpressCard/34 or USB 2.0
SIM Socket	1 x SIM socket
Hand Strap	1 x Black elastic hand strap

Button & Indicator

Function Key	10 x Numeric keys (0 ~ 9); 1 x Enter key; 1 x 4-way arrow keys; 4 x Function keys; 1 x ESC key; 1 x Back-space key; 1 x Dot (.) key; 1 x Brightness control key;
Power Button	1 x Power on/off button
LED Indicator	1 x Battery LED 1 x RFID (optional)/HSUPA (optional) LED 1 x Bluetooth (optional) LED

LCD Display

Size/Type	10.4" AFFS+ TFT Active Matrix Panel
Max. Resolution	1024 x 768 (XGA) w/ 262,144 colors
Luminance	340 cd/m ² (typ.)
Contrast Ratio	600:1
Viewing Angle	178° (H), 178° (V)
Backlight Type	LED

Touch Screen

Type	5-Wires Analog Resistive
Light Transparency	80% (typ.)
Controller Interface	USB Interface

Power Supply

Adapter Input	100 ~ 240VAC (Full Range)
Adapter Output	19VDC, 3.42A, 65W
Battery Type	Li-battery pack
Battery Capacity	1 x 1880mAh 3-cell, 1 x 2500mAh 4-cell
Battery Operating Time	8 hours

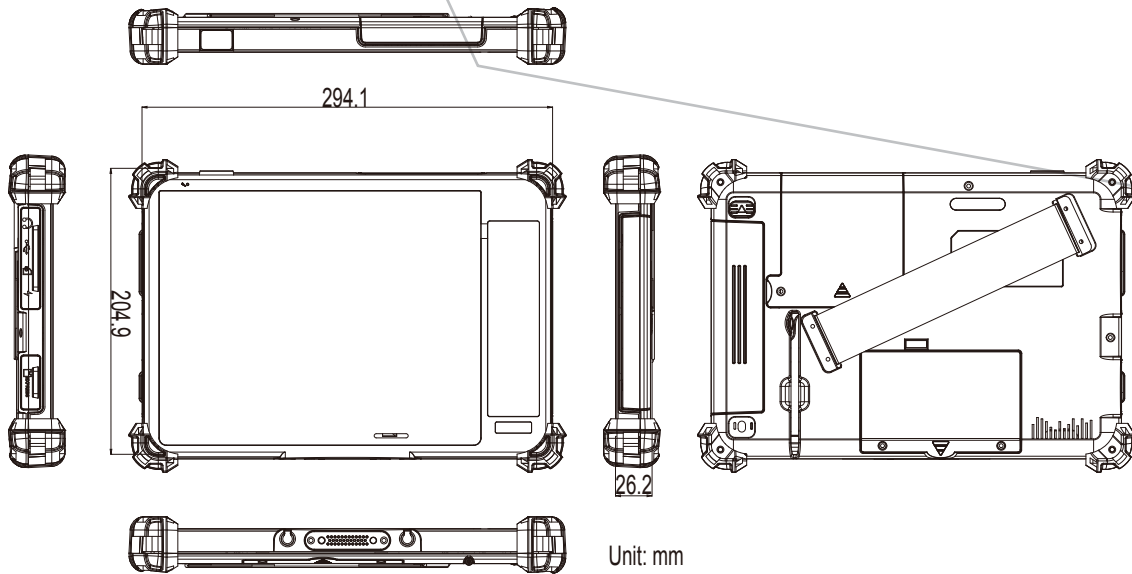
Mechanical & Environmental

Operating Temp.	-20 ~ 45°C (-4 ~ 113°F)
Charging Temp.	0 ~ 40°C (32 ~ 104°F)
Storage Humidity	5 to 95% (non-condensing)
Dimensions (W x D x H)	205 x 294 x 25 mm (8.07" x 11.57" x 0.98")
Gross Weight	1.1 kg (2.2 lb) for G1050-Lite
Vibration	3 Grms/ 5 ~ 500Hz/ random operation
Shock	40G peak acceleration (11 ms duration)
Transit Drop	122 cm (4 feet), except the front side
IP Rating	IP54 (whole unit)
Regulatory	CE/FCC Class B compliant

Ordering Information

G1050	10.4" Intel® Atom™ Z530P rugged tablet PC with dual battery packs, Camera, Bluetooth, WiFi, HSUPA, RFID, Barcode Scanner
G1050-Medium	10.4" Intel® Atom™ Z530P rugged tablet PC with dual battery packs, WiFi, Bluetooth, Camera
G1050-Lite	10.4" Intel® Atom™ Z530P rugged tablet PC with external battery pack, WiFi

Dimensions



Standard Accessories

Power Adapter

19VDC, 3.42A, 65W AC/DC Adapter Kit



Hand Strap

212mm Black Elastic Hand Strap



Stylus

Used for Touch Screen



External Battery

2500mAh External Battery Kit



Optional Accessories

SST-1050

128*3.7cm, Shoulder Strap



eBAT-1050

2500mAh External Battery Kit



VMB-1050

VESA Mount Bracket for G1050



VSB-100

VESA-75 to VESA-100 Bracket



DTC-1050

G1050 Desktop Cradle



Optional Configuration (CTOS* Kit)

iBAT-1040

3-cell 1880mAH Internal Battery Kit



CAM-1050

2.0M CMOS Camera Kit



RFID-1050

13.56MHz RFID Kit



BarC-1050

1D/2D Barcode Scanner Kit



HSUPA-1050

3.75G HSUPA Wireless Kit



BT-1050

Bluetooth 2.1 + EDR Kit



GRS-1050

GPS and RS-232 2in1 Kit



SRS-1050

Smart Card Reader and RS-232 2in1 Kit



MSR-1050

MSR Module Kit



*CTOS means Configure to Order Service.